

# Test Report

Product Name:	785nm Laser Diode	Test By:	03
P/N:	BFLD-F785-30SM-FA	Test Date:	2025/5/17

Temperature: 25°C(15~35°C)

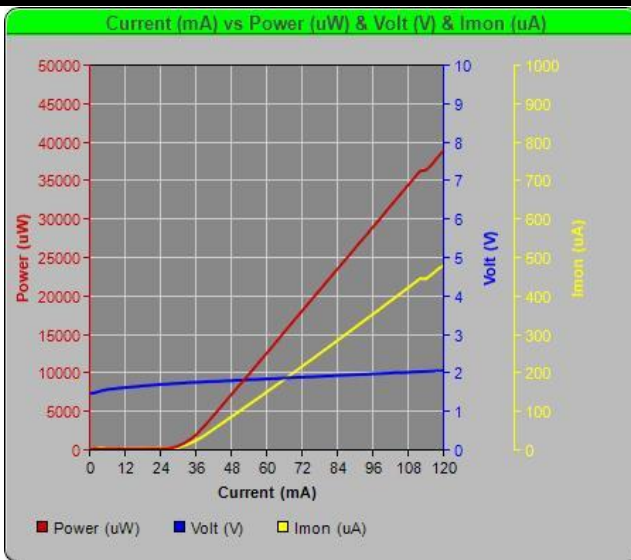
Wavelength range: 785 ± 20nm

Output power range: ≥30mW

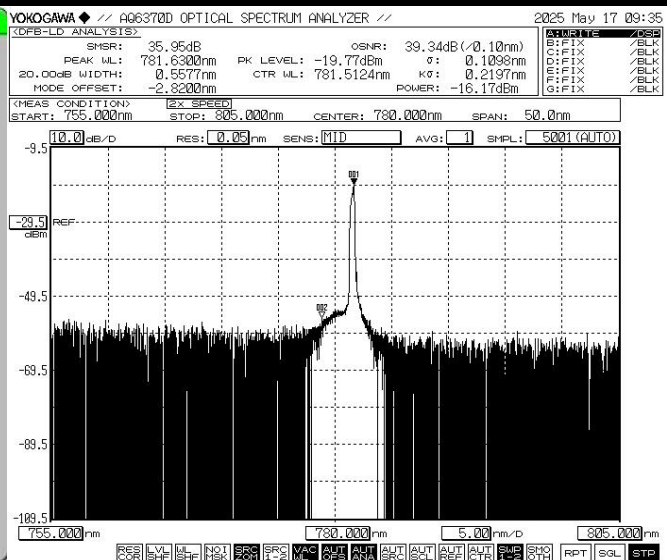
Operating current < 120mA

Pigtail type: Hi780 SM fiber; FC/APC connector

S/N	TX							
	Center wavelength	Operating current	Threshold current	Bias voltage	Monitor PD current	SMSR	TEC Voltage	TEC Current
	$\lambda_p$ (nm)	$I_o$ (mA)	$I_{TH}$ (mA)	$V_f$ (V)	$I_m$ (uA)	SMSR(dB)	$V_{TEC}$ (V)	$I_{TEC}$ (A)
2522264001	781.63	100.00	32.29	1.99	365.00	35.95	0.19	0.05

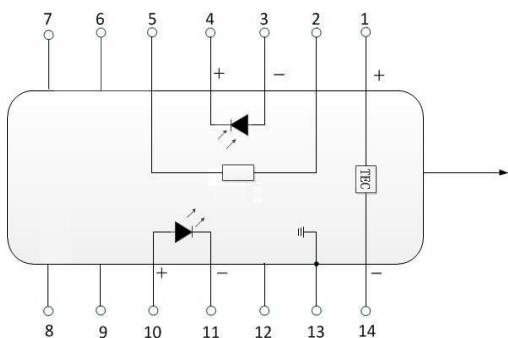


PIV Curve



Optical mapping

## PIN Definition:



1	TEC(+)	14	TEC(-)
2	Thermistor	13	Case Ground
3	PD Monitor Anode (-)	12	NC
4	PD Monitor cathode(+)	11	Laser Cathode (-)
5	Thermistor	10	Laser Anode (+)
6	NC	9	NC
7	NC	8	NV

## Attention notes

1. The electric sensitive element, please obey the static sensitive element protection
2. Pins is easy to break, please don't bend it for big angle.
3. The fiber is easy to break, when bend the fiber, the radius must is up to 20mm;
4. Ensure the plane of fiber connection is clean, which will influence the function of module.