

1060nm SLD Broadband Light Source

1. Description:

The 1060nm SLD broadband light source adopts semiconductor super radiation diode technology to output broadband spectrum and has high output power, which is suitable for optical fiber sensing and other applications. Communication interface and host computer software can be provided to facilitate the monitoring of light source status.

2. Features:

- Ultra wide spectrum;
- Low spectral ripple;
- Flat spectrum;
- Customizable size.



3. Application:

- Optical fiber sensing;
- Medical imaging;
- Optical coherence tomography.

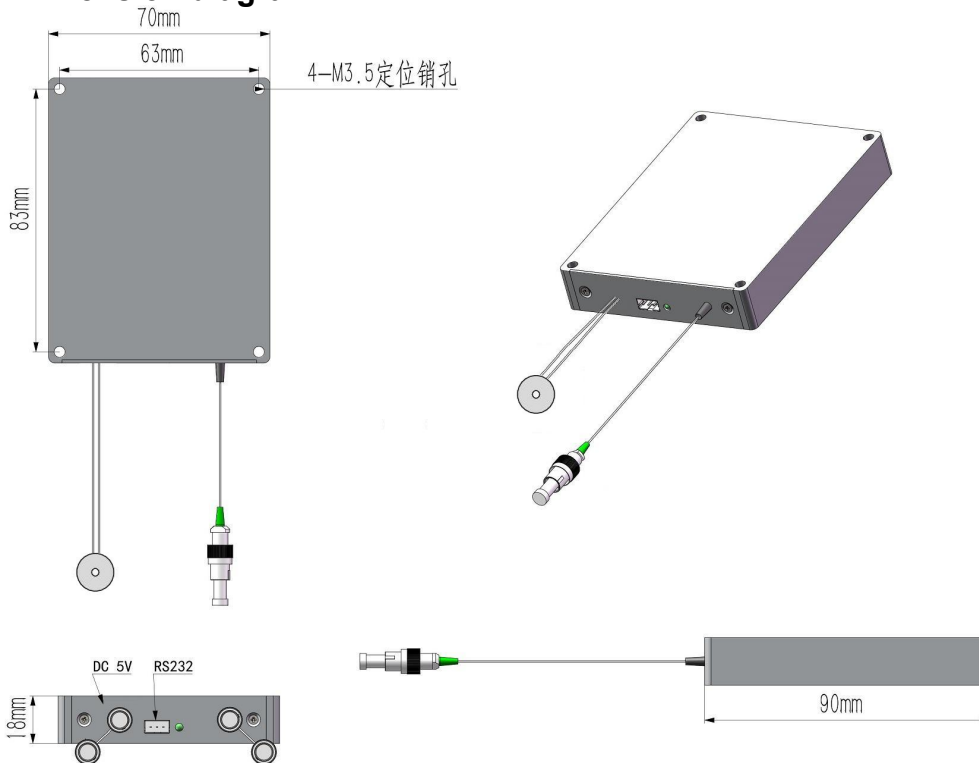
4. Electro-Optical Characteristics:

Parameters	Unit	Value		Note
Operating wavelength	nm	1060		±20
Output power	mW	>5	>15	Customizable
-3dB Bandwidth	nm	>15	>15	
Short-term stability	dB	≤ ±0.02/15 min		
Long-term stability	dB	≤ ±0.05/8 hours		
Optical isolator	dB	-		Optional
Fiber connector	-	FC/APC		Customized
Fiber type	-	Hi780 or PM850		
Demension	mm	195(W)×220(D)×120(H)		Benchtop
		70(W)×90(D)×18(H)		Module
Power supply	V	AC 110~240V		Benchtop
		DC 5V/4A		Module
Communication interface	-	DB9 Female(RS485)		Module
Operating temperature	°C	-5 ~ +55		
Storage temperature	°C	-40 ~ +85		

5. Typ. characteristic curve:



6. Dimension diagram



7. Ordering information:

Product	Wavelength	Output power	Fiber type	Connector	Package
BSLD	-XXXX	-XX	XX	-XX	-X
SLED laser source	1060: 1060nm	5: 5mW 15: 15mW	SM: Hi1060 PM: PM980	FA: FC/APC SA: SC/APC	B: Benchtop M: 70*90mm